

M12 FEMALE 90° LED

PVC 3X0.34 GRAY, UL/CSA 10m

Female 90°

M12, 3-pole

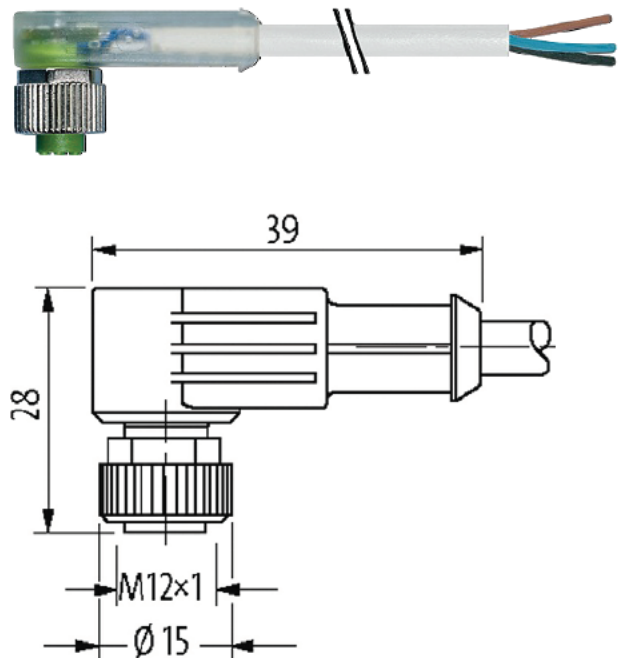
2× LED (PNP)

Art-No. 7005 - M12 LED - (plastic hexagonal screw) on request

Plastic housings with good resistance against chemicals and oils.

The resistance to aggressive media should be individually tested for your application. Further details on request.

Further cable lengths on request.

Link to Product**Illustration**

Product may differ from image

Approvals

* only for products with UL/CSA approved cable

cCSAus

Form

Form 238

General data

Standards	DN EN 6 076 2 0 (M 2)
Mounting method	inserted tightened
Material (contact)	Copper alloy
Material (contact surface)	Au
Material (gasket)	FKM
Pollution Degree	3
Stripping length (jacket)	20 mm

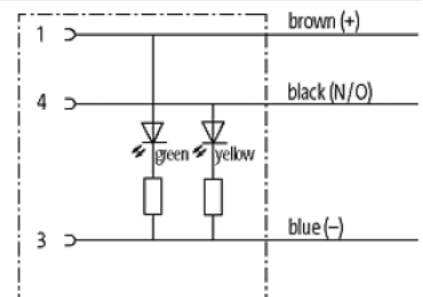
Temperature range 25 +85 °C depending on cable quality

Cables	
No /diameter of wires	3× 0.34 mm ²
Wire isolation	PVC (br bl bk)
Material (jacket)	PVC (UL/CSA)
Outer Ø	4.6 mm 5%
Bend radius (moving)	0× outer Ø
Temperature range (fixed)	30 +80 °C
Temperature range (mobile)	5 +80 °C
Cable identification	2 3
Cable Type	(PVC)
Approval (cable)	UL (AWM Style 2464/ 73) CSA
Cable weight [g/m]	34.0
Material (wire)	Cu wire bare
Resistor (core)	max 60 Ω/km (20 °C)
Single wire Ø (core)	0.5 mm
Construction (core)	9× 0.5 mm (multi strand wire class 5)
Diameter (core)	3× 0.34 mm ²
AWG	similar to AWG 22
Material (wire isolation)	PVC
Material property (wire isolation)	CFC cadmium silicone and lead free
Shore hardness (wire isolation)	45 5 D
Wire Ø incl isolation	2.5 mm 5%
Color/numbering of wires	br bk bl
Stranding combination	3 wires twisted
Shield	no
Material (jacket)	PVC
Material property (jacket)	CFC cadmium silicone and lead free
Shore hardness (jacket)	85 5 A
Outer Ø (jacket)	4.6 mm 5%
Color (jacket)	gray
chemical resistance	good resistance to oil gasoline and chemicals
thermal resistance	flame retardant UL 58 VW / CSA FT
Nominal voltage	UL 300 V AC
Test voltage	2000 V AC
Current load capacity	to D N VDE 0298 4
Temperature range (fixed)	30 +80 °C
Temperature range (mobile)	5 +80 °C
Bend radius (fixed)	5× outer Ø
Bend radius (moving)	0× outer Ø
Jacket Color	gray
Technical Data	
Operating voltage	24 V DC 25%
Operating voltage (only UL listed)	30 V DC
Rated surge voltage	0.8 kV
Operating current per contact	max 4 A
Material group	EC 60664 category
Coding	A coded

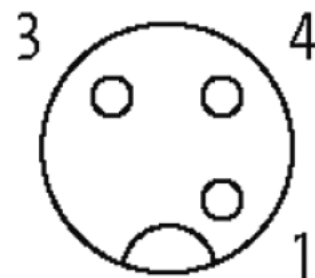
LED display	(yellow/green)
Locking of ports	Screw thread (M 2× mm) recommended torque 0.6 Nm self securing
Compression gland	M 2 (SW 3)
Protection	P65 P66K P67 inserted and tightened (EN 60529)
Locking material	Zinc die casting matte nickel plated
Material	PUR
suitable for corrugated tube (internal Ø)	0 mm

Commercial data

country of origin	DE
customs tariff number	85444290
EAN	4048879205009
eClass	272792 8
Packaging unit	

Sketch

Female



Produced in Germany